

## ADA TOPMOUNT SERIES

### Topmount Single Bowl Model A2219



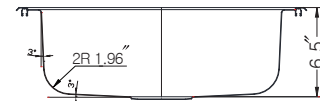
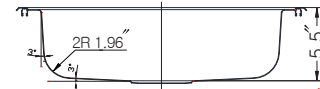
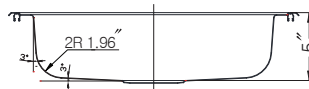
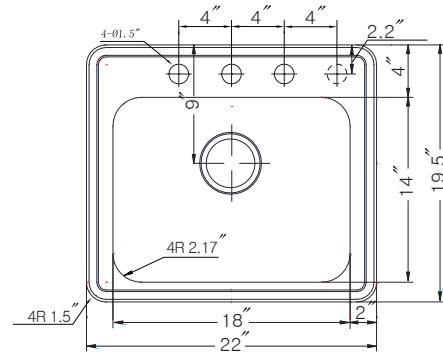
#### Model Numbers:

- A2219-503-1 or A2219-504-1 (5" Depth)
- A2219-553-1 or A2219-554-1 (5.5" Depth)
- A2219-603-1 or A2219-604-1 (6" Depth)
- A2219-653-1 or A2219-654-1 (6.5" Depth)

#### FEATURES

A2219

- Premium grade T-304 stainless steel
- 5", 5.5", 6", 6.5" depth
- 18 gauge • 3 or 4 holes
- StoneGuard™ undercoating over Super-Silencer pad
- Lustrous satin with highlighted rim
- Fits 30 sink base • 3-1/2" drain opening
- Supplied with cutout template, fasteners and instructions
- Complies with ASME A112.19.3-2000, cUPC®
- Lifetime Limited Warranty



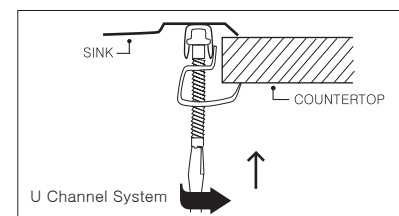
#### OPTIONAL ACCESSORIES

Strainer: 190-9180

OVERALL DIMENSIONS	EACH BOWL	CUTOUT SIZE	PACKAGING*	WEIGHT*
22" x 19.5"	18" x 14"	See Template	1/16/20 pcs.	11/216/220 lbs.

\*Standard packaging: Single boxed /Pallet of single boxed/Pallet of bulk pack.  
All dimensions are in inches. Specifications subject to change without notice.

#### Installation profile



Project/Job name \_\_\_\_\_

Architect/Engineer \_\_\_\_\_

Contractor \_\_\_\_\_

Model \_\_\_\_\_ Q'ty \_\_\_\_\_

Notes \_\_\_\_\_