

ADA TOPMOUNT SERIES

Topmount Single Bowl Model A2522

Model Numbers:

- A2522-503-1 or A2522-504-1 (5" Depth)
- A2522-553-1 or A2522-554-1 (5.5" Depth)
- A2522-603-1 or A2522-604-1 (6" Depth)
- A2522-653-1 or A2522-654-1 (6.5" Depth)



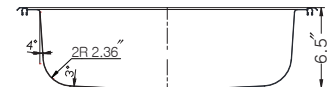
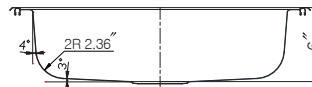
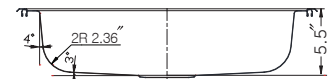
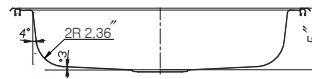
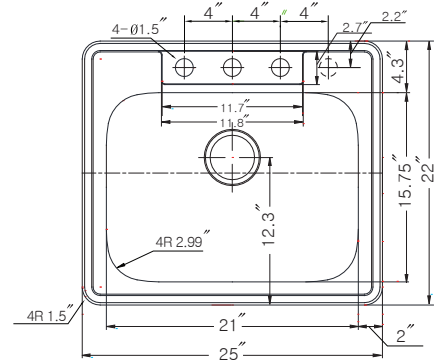
A2522

FEATURES

- Premium grade T-304 stainless steel
- 5", 5.5", 6", 6.5" depth
- 18 gauge • 3 or 4 holes
- StoneGuard™ undercoating over Super-Silencer pad
- Lustrous satin with highlighted rim
- Fits 30 sink base • 3-1/2" drain opening
- Supplied with cutout template, fasteners and instructions
- Complies with ASME A112.19.3-2000, cUPC®
- Lifetime Limited Warranty



ASME A112.19.3-2000



OPTIONAL ACCESSORIES

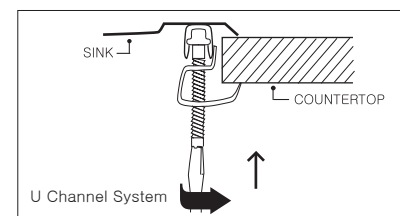
Cutting Board : CB-2500

Strainer: 190-9180

OVERALL DIMENSIONS	EACH BOWL	CUTOUT SIZE	PACKAGING*	WEIGHT*
25" x 22"	21" x 15.75"	See Template	1/16/20 pcs.	15/280/290 lbs.

*Standard packaging: Single boxed /Pallet of single boxed/Pallet of bulk pack.
All dimensions are in inches. Specifications subject to change without notice.

Installation profile



Project/Job name _____

Architect/Engineer _____

Contractor _____

Model _____ Q'ty _____

Notes _____