

ADA UNDERMOUNT SERIES

Undermount 50/50 Double Bowl Model AU3218

Model Numbers:

- AU3218-50-1 (5" Depth)
- AU3218-55-1 (5.5" Depth)
- AU3218-60-1 (6" Depth)



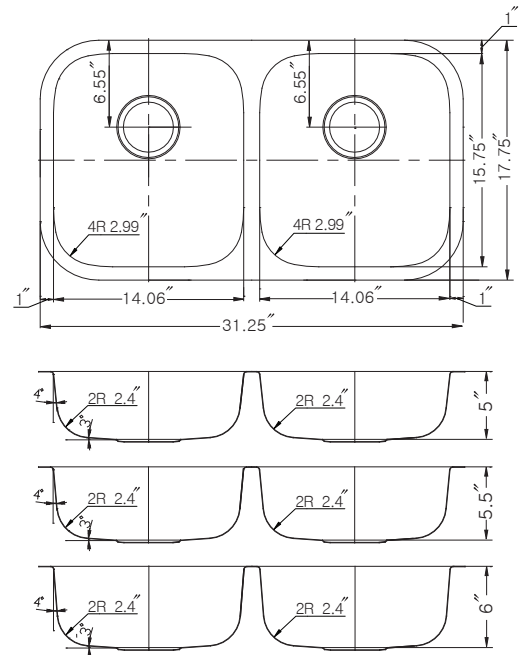
AU3218

FEATURES

- Premium grade T-304 stainless steel
- 5", 5.5", 6" depth
- 18 gauge
- StoneGuard™ undercoating over Super-Silencer pad
- Lustrous satin with highlighted rim
- Fits 36" sink base • 3-1/2" drain opening
- Supplied with cutout template, fasteners and instructions
- Complies with ASME A112.19.3-2000, cUPC®
- Lifetime Limited Warranty



ASME A112.19.3-2000



OPTIONAL ACCESSORIES

Cutting Board : CB-3100

Strainer: 190-9180

OVERALL DIMENSIONS	EACH BOWL	CUTOUT SIZE	PACKAGING*	WEIGHT*
31.25" x 17.75"	14.06" x 15.75"	See Template	1/16/20 pcs.	18/328/320 lbs.

*Standard packaging: Single boxed /Pallet of single boxed/Pallet of bulk pack.
All dimensions are in inches. Specifications subject to change without notice.

Project/Job name _____

Architect/Engineer _____

Contractor _____

Model _____ Q'ty _____

Notes _____

Installation profile

