

## Quartztone®

### Topmount Single Bowl

Model G-300 Cloud

G-300 Midnite

G-300 Mocha

G-300 Sand

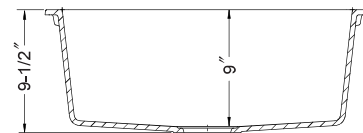
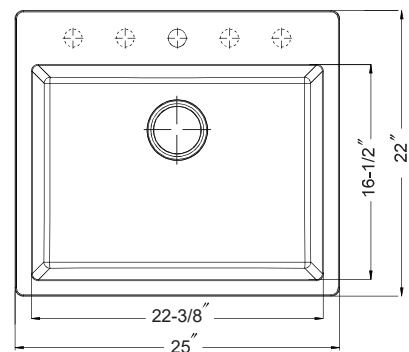
G-300 Slate



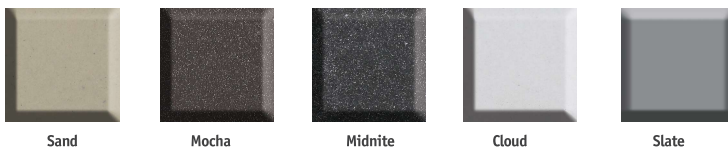
G-300

### FEATURES

- 80% quartz
- 9" depth
- Intrinsically hygienic non-porous surface
- Antibacterial protection with silver ion Microstop
- Silky to the touch, 3 times harder than natural granite
- Food-safe, UV-stable (will not fade)
- Heat resistance to +500°F • Available in 5 colors
- Highest resistance to thermal shock, scratches and chips
- Ariapure features odor and pollutant disinfection
- Fits 30" sink base
- Supplied with cutout template, fasteners and instructions
- Limited Lifetime Warranty



### OPTIONAL COLORS



Sand

Mocha

Midnite

Cloud

Slate

OVERALL DIMENSIONS	EACH BOWL	CUTOUT SIZE	PACKAGING*	WEIGHT*
25" x 22"	22-3/8" x 16-1/2"	See Template	1/10 pcs.	35/390lbs.

\*Standard packaging: Single boxed /Pallet of single boxed.  
All dimensions are in inches. Specifications subject to change without notice.

### OPTIONAL ACCESSORIES

Bottom Grid: 629808

Strainer Options: Stainless steel strainers,  
Color strainers, Color Disposal flanges

Project/Job name \_\_\_\_\_

Architect/Engineer \_\_\_\_\_

Contractor \_\_\_\_\_

Model \_\_\_\_\_ Qty \_\_\_\_\_

Notes \_\_\_\_\_