

NOVUS SERIES

10mm Radius Undermount Large Single Bowl

Sliding Dual Platforms System

Model : NVS-2600



FEATURES

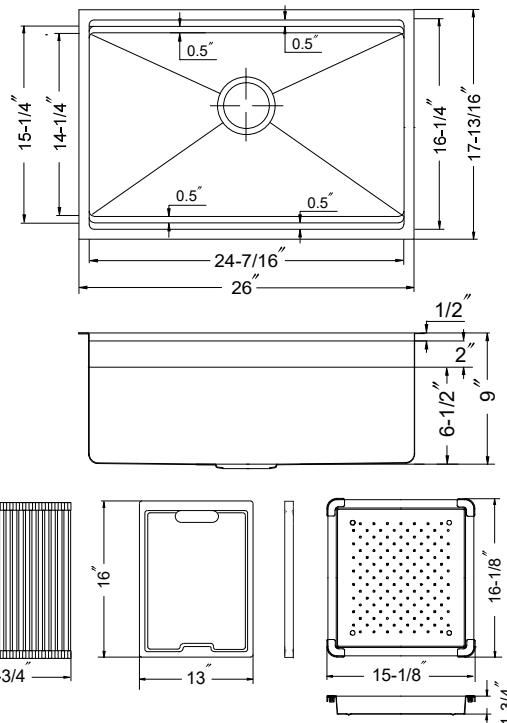
- Premium grade T-304 stainless steel
- 9" depth • 18 gauge
- MegaShield™ insulation
- Brushed satin, rear-set drain
- 3-1/2" drain opening
- Fits 30" sink base
- Supplied with cutout template, fasteners and instructions
- Includes : Wood Cutting Board, Drying Tray, Multi-Purpose Roll-Up Mat, Bottom grid, Stainless Steel Basket Strainer.
- Lifetime Limited Warranty



OPTIONAL ACCESSORIES

Bottom Grid: BG-4400 Drying Tray: DT-4230
 Cutting Board : CB-5300 Roll-Up Mat: RO-1600
 Strainer: 190-9180

NVS-2600



OVERALL DIMENSIONS	EACH BOWL	CUTOUT SIZE	PACKAGING*	WEIGHT*
26" x 17-13/16"	24-7/16" x 14-1/4"	See Template	1/12 pcs.	32/424 lbs.

*Standard packaging: Single boxed /Pallet of single boxed.
 All dimensions are in inches. Specifications subject to change without notice.

Project/Job name _____

Architect/Engineer _____

Contractor _____

Model _____ Q'ty _____

Notes _____

Installation profile

