

NOVUS SERIES

10mm Radius Undermount 60/40 Double Bowl

Sliding Dual Platforms System

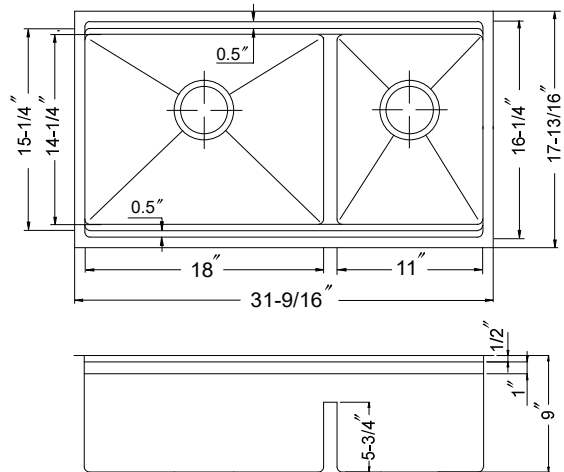
Model : NVS-3218D



FEATURES

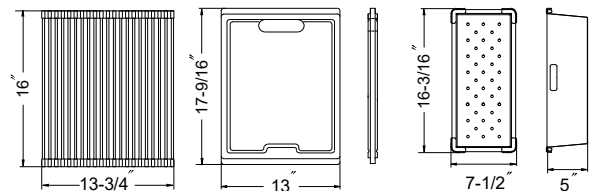
- Premium grade T-304 stainless steel
- 9" depth • 18 gauge
- MegaShield™ insulation
- Brushed satin, rear-set drain
- 3-1/2" drain opening
- Fits 36" sink base
- Supplied with cutout template, fasteners and instructions
- Includes : Wood Cutting Board, Drying Tray, Bottom grids, Multi-Purpose Roll-Up Mat, Stainless Steel Basket Strainers.
- Lifetime Limited Warranty

NVS-3218D



OPTIONAL ACCESSORIES

Bottom Grid: BG-4760, BG-4740 Drying Tray: DT-4230
 Cutting Board : CB-5300 Roll-Up Mat: RO-1600
 Strainer: 190-9180



OVERALL DIMENSIONS	EACH BOWL	CUTOUT SIZE	PACKAGING*	WEIGHT*
31-9/16" x 17-13/18"	18" x 15-1/4" 11" x 15-1/4"	See Template	1/12 pcs.	40/520 lbs.

*Standard packaging: Single boxed /Pallet of single boxed.
 All dimensions are in inches. Specifications subject to change without notice.

Project/Job name _____

Architect/Engineer _____

Contractor _____

Model _____ Q'ty _____

Notes _____

Installation profile

