

## PLATUS SERIES

### Fire Clay Undermount Large Bar/Prep Sink

**Model** PTB-1814 WH-C - White

PTB-1814 BQ-C - Biscuit

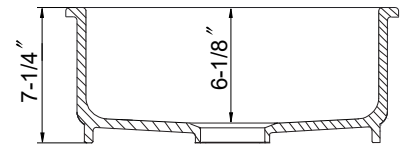
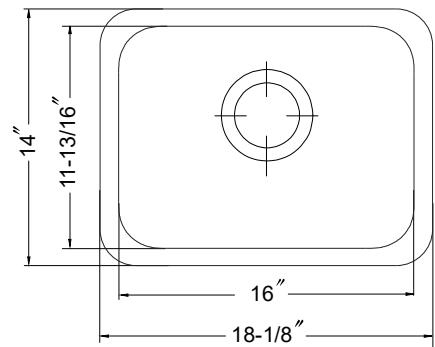
PTB-1814 BL-C - Matte Black



PTB-1814-C

#### FEATURES

- Non-porous glossy surface
- 6-1/8" depth
- 3-1/2" drain opening
- Chip, crack and scratch resistant
- 3 distinctive colors • Fits 24" sink base
- Includes : Stainless Steel Basket Strainer.
- Supplied with fasteners and instructions
- No cut out template is supplied as each sink dimension will vary due to the nature of fireclay manufacturing process.
- Lifetime Limited Warranty



#### OPTIONAL COLORS



**White**

**Biscuit**

**Matte Black**

Color variations possible due to printing constraints.

OVERALL DIMENSIONS	EACH BOWL	PACKAGING*	WEIGHT*
18-1/8" x 14"	16" x 11-13/16"	1/10 pcs.	35/390lbs.

\*Standard packaging: Single boxed /Pallet of single boxed.  
All dimensions are in inches. Specifications subject to change without notice.

#### INCLUDED ACCESSORIES

Strainer : 190-9180

Project/Job name \_\_\_\_\_

Architect/Engineer \_\_\_\_\_

Contractor \_\_\_\_\_

Model \_\_\_\_\_ Q'ty \_\_\_\_\_

Notes \_\_\_\_\_