

PLATUS SERIES

Fire Clay Undermount Large Bar/Prep Sink

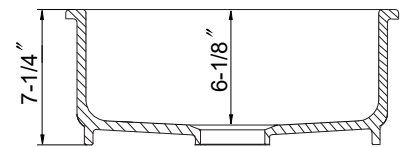
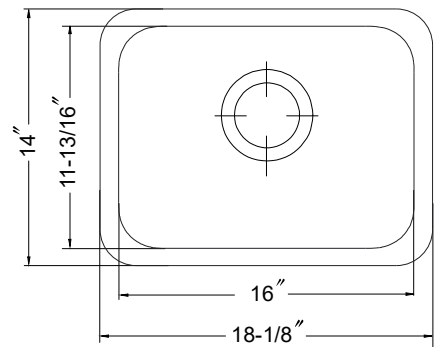
- Model** PTB-1814 WH - White
 PTB-1814 BQ - Biscuit
 PTB-1814 BL - Matte Black



FEATURES

PTB-1814

- Non-porous glossy surface
- 6-1/8" depth
- 3-1/2" drain opening
- Chip, crack and scratch resistant
- 3 distinctive colors
- Fits 24" sink base
- Supplied with fasteners and instructions
- No cut out template is supplied as each sink dimension will vary due to the nature of fireclay manufacturing process.
- Lifetime Limited Warranty



OPTIONAL COLORS



White

Biscuit

Matte Black

Color variations possible due to printing constraints.

OVERALL DIMENSIONS	EACH BOWL	PACKAGING*	WEIGHT*
18-1/8" x 14"	16" x 11-13/16"	1/10 pcs.	35/390lbs.

*Standard packaging: Single boxed /Pallet of single boxed.
 All dimensions are in inches. Specifications subject to change without notice.

OPTIONAL ACCESSORIES

Strainer : 190-9180

Project/Job name _____

Architect/Engineer _____

Contractor _____

Model _____ Q'ty _____

Notes _____