

PLATUS SERIES

Fire Clay Apron Front 60/40 Double Bowl

- Model** PTD-6040 WH-C - White
 PTD-6040 BQ-C - Biscuit
 PTD-6040 BL-C - Matte Black
 PTD-6040 GR-C - Matte Gray

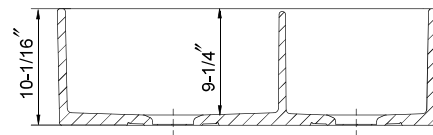
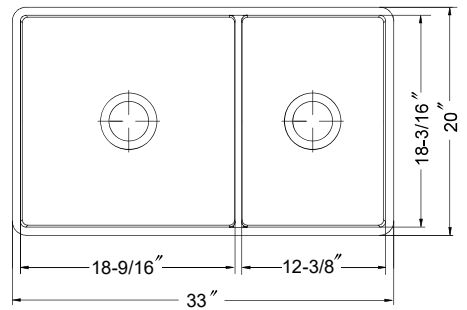


FEATURES

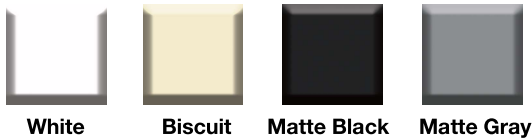
- Apron Front Installation
- Non-porous glossy surface
- 9-1/4" depth • 3-1/2" drain opening
- Chip, crack and scratch resistant • 4 distinctive colors
- Requires Custom Cabinet • Supplied with fasteners and instructions
- Includes : Bottom grids and Stainless Steel Basket Strainers
- No cut out template is supplied as each sink dimension will vary due to the nature of fireclay manufacturing process.
- Complies with ASME A112.19.2 and CSA B45.1-2013 standards
 Certified by ICC-ES PMG
- Lifetime Limited Warranty



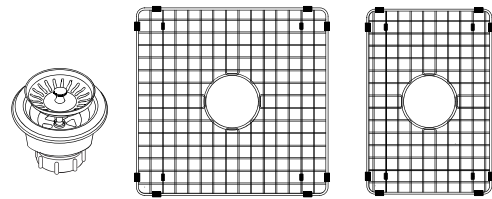
PTD-6040-C



OPTIONAL COLORS



Color variations possible due to printing constraints.



OVERALL DIMENSIONS	EACH BOWL	PACKAGING*	WEIGHT*
33" x 20"	18-9/16" x 18-3/16" 12-3/8" x 18-3/16"	1/10 pcs.	110/1140lbs.

*Standard packaging: Single boxed /Pallet of single boxed.
 All dimensions are in inches. Specifications subject to change without notice.

INCLUDED ACCESSORIES

Bottom Grid: BG-8760, BG-8740
 Strainer: 190-9180

Project/Job name _____

Architect/Engineer _____

Contractor _____

Model _____ Q'ty _____

Notes _____