

PLATUS SERIES

Fire Clay Undermount Single Bowl

- Model** PTU-2800 WH - White
 PTU-2800 BQ - Biscuit
 PTU-2800 BL – Matte Black
 PTU-2800 GR – Matte Gray

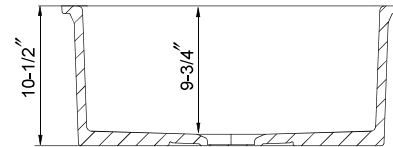
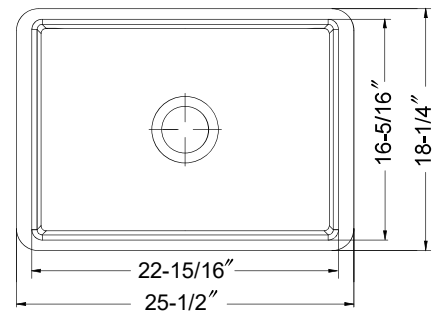


FEATURES

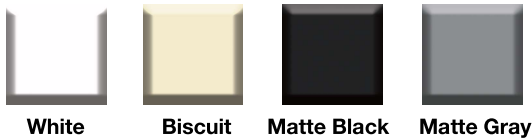
- Apron Front Installation
- Non-porous glossy surface
- 9-3/4" depth • 3-1/2" drain opening
- Chip, crack and scratch resistant • 4 distinctive colors
- Fits 30" minimum cabinet
- Supplied with fasteners and instructions
- No cut out template is supplied as each sink dimension will vary due to the nature of fireclay manufacturing process.
- Complies with ASME A112.19.2 and CSA B45.1-2013 standards
 Certified by ICC-ES PMG
- Lifetime Limited Warranty



PTU-2800



OPTIONAL COLORS



Color variations possible due to printing constraints.

| OVERALL DIMENSIONS | EACH BOWL | PACKAGING* | WEIGHT* |
|--------------------|----------------------|------------|------------|
| 25-1/2" x 18-1/4" | 22-15/16" x 16-5/16" | 1/10 pcs. | 80/840lbs. |

*Standard packaging: Single boxed /Pallet of single boxed.
 All dimensions are in inches. Specifications subject to change without notice.

OPTIONAL ACCESSORIES

- Bottom Grid: BG-8500
 Strainer: 190-9180

Project/Job name _____

Architect/Engineer _____

Contractor _____

Model _____ Q'ty _____

Notes _____