

## Quartztone®

### Apron Front Workstation Single Bowl

Model W-130 Cloud

W-130 Midnite

W-130 Mocha

W-130 Sand

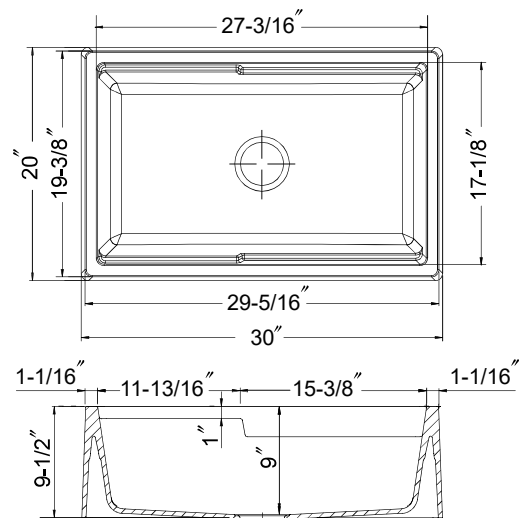
W-130 Slate



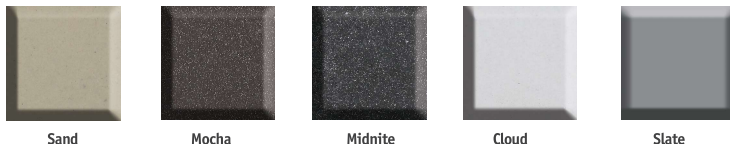
W-130

### FEATURES

- 80% quartz • 3 1/2" center drain opening
- Reversible – high side ledge can be on left or right
- 9" interior depth • Dual level work ledge
- Intrinsically hygienic Non-porous surface
- Antibacterial protection with silver ion Microstop
- Silky to the touch, 3 times harder than natural granite
- Food-safe, UV-stable-will not fade
- Heat resistance to +500°F • Available in 5 colors
- Highest resistance to thermal shock, scratches and chips
- Includes: Wood cutting board, drying tray, multi-purpose roll-up matt, bottom grid, and basket strainer
- Requires custom cabinet
- Limited Lifetime Warranty



### OPTIONAL COLORS



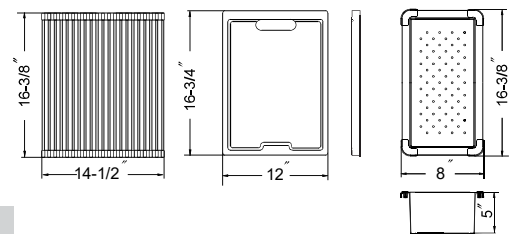
Sand

Mocha

Midnite

Cloud

Slate



OVERALL DIMENSIONS	EACH BOWL	CUTOUT SIZE	PACKAGING*	WEIGHT*
30" x 20"	27-3/16" x 17-1/8"	See Template	1/10 pcs.	58/620lbs.

\*Standard packaging: Single boxed /Pallet of single boxed.  
All dimensions are in inches. Specifications subject to change without notice.

### OPTIONAL ACCESSORIES

- Bottom Grid: 629815      Drying Tray: DT-1607  
Cutting Board : CB-1712      Roll-Up Mat: R0-1700  
Strainer: 190-9180

Project/Job name \_\_\_\_\_

Architect/Engineer \_\_\_\_\_

Contractor \_\_\_\_\_

Model \_\_\_\_\_ Qty \_\_\_\_\_

Notes \_\_\_\_\_